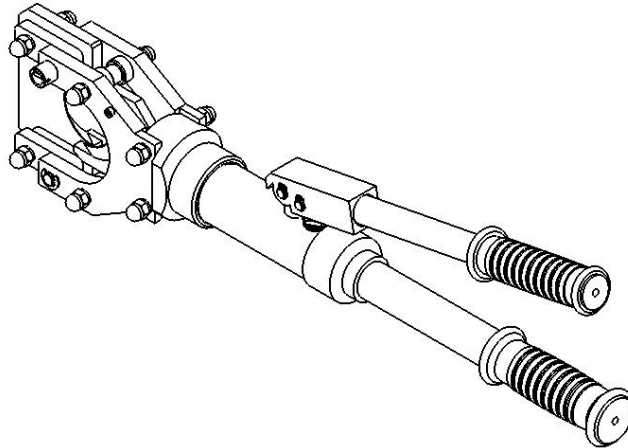


Instruction Manual

Hydraulic Cable Cutter CPC SERIES



Due to continuing improvements, actual product may differ slightly from the product described herein.



Read this material before using this product.

Failure to do so can result in serious injury.

SAVE THIS MANUAL

SAVE THIS MANUAL

Keep this manual for the safety warnings and precautions, assembly, operating, inspection, maintenance and cleaning procedures. Write the month and year of purchase. Keep this manual and the receipt in a safe and dry place for future reference.

IMPORTANT SAFETY INFORMATION

In this manual, on the labeling, and all other information provided with this product:



This is the safety alert symbol. It is used to alert you to potential personal injury hazards. Obey all safety messages that follow this symbol to avoid possible injury or death.

⚠DANGER

DANGER indicates a hazardous situation which, if not avoided, will result in death or serious injury.

⚠WARNING

WARNING indicates a hazardous situation which, if not avoided, could result in death or serious injury.

⚠CAUTION

CAUTION, used with the safety alert symbol, indicates a hazardous situation which, if not avoided, could result in minor or moderate injury.

GENERAL SAFETY RULE

TO WORK IN SAFE CONDITIONS WITH THIS TOOL, IT IS IMPERATIVE TO READ CAREFULLY THE DIRECTIONS FOR USE AND TO FOLLOW THE INSTRUCTION IT CONTAINS. IF YOU DO NOT RESPECT THE INFORMATION WRITTEN IN THE INSTRUCTION MANUAL, THE WARRANTY WILL BE CANCELLED.

1. Work area safety

- a. Keep work area clean and well lit. Cluttered or dark areas invite accidents.
- b. Keep children and bystanders away while operating the hydraulic cable cutter. Distractions can cause you to lose control.
- c. Do not leave the tool in acidity, alkaline or other corrosive gas or liquid and do not operate or stock the tool in high temperature to avoid the tool corrosive or the seal gasket ageing.

2. Personal safety

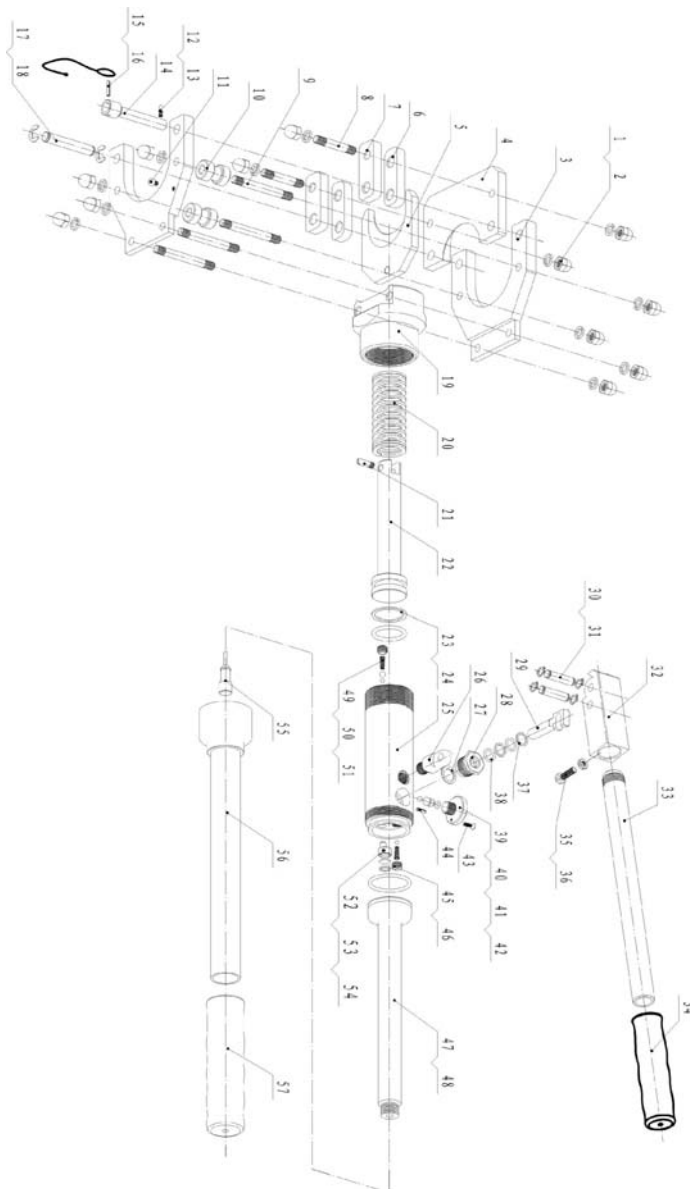
- d. Stay alert, watch what you are doing and use common sense when operating the tool. Do not use the tool while you are tired or under the influence of drugs, alcohol or medication.. A moment of inattention while operating hydraulic tools may result in serious personal injury.
- e. Use safety equipment. Always wear eye protection. Safety equipment such as dust mask, non-skid shoes, hard hat, or hearing protection used for appropriate conditions will reduced personal injuries.
- f. Dress properly. Do not wear loose clothing or jewelry. Keep your hair, clothing and gloves away from moving parts. Loose clothes jewelry or long hair can be caught in moving parts.
- g. Do not force the tool. Use the correct power tool for your application .The correct power tool will do the job better and safer at the rate for which it was designed.
- h. Store idle power tools out of the reach of children and do not allow persons unfamiliar with the hydraulic
- i. crimping tool. This tool is dangerous in the hands of untrained users.

- j. Maintain power tools. Check for misalignment or binding of moving parts, breakage of parts and any other condition that may affect the Hydraulic crimping tool operation. If damaged, have the Hydraulic crimping tool repaired before use. Many accidents are caused by poorly maintained power tools.
- k. Use the Hydraulic Cable Cutter accessories and tool bits etc., in accordance with these instructions and in the manner intended for the particular type of tool, taking into account the working conditions and the work to be performed. Use of the Hydraulic Cable Cutter for operations different from those intended could result in a hazardous situation.

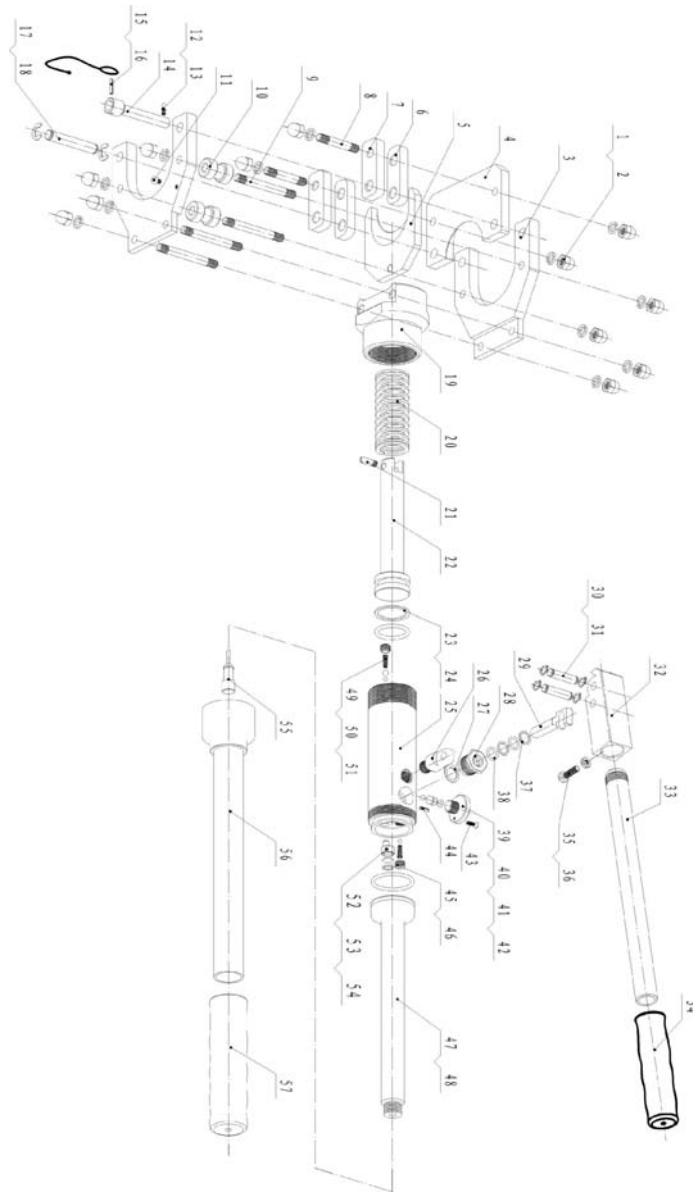
3. Service

Have your Hydraulic Cable Cutter serviced by a qualified service technician using only identical replacement parts. This will ensure that the safety of the Hydraulic Cable Cutter Kit is maintained.

CPC-40A



CPC-50A



PART LIST

NO.	DESCRIPTION	QTY	NO.	DESCRIPTION	QTY
1	fixed plate	2	27	steel- ball C4	2
2	fixed blade	1	28	handle pin	2
3	active blade	1	29	type A circlip 8	4
4	guide pad(small)	2	30	handle shaft	1
5	guide pad(big)	2	31	pump handle	1
6	stud (long)	4	32	pump handle grip	1
7	stud (short)	2	33	plunger	1
8	circlip 8	12	34	back- up ring	2
9	acorn M8	12	35	O-ring 10X2	2
10	guide wheel	2	36	big screw plug	1

Baolifeng Tools Co.,LTD

www.blftools.com

11	hex screw M4x6	1	37	copper gasket 18x13x1	1
12	spring 0.37x3.7x6x5	1	38	type A circlip M3X10	1
13	steel- ball C4	1	39	turn screw	1
14	ram pin	1	40	O-ring 4X2	1
15	cylindrical pin 3x16	1	41	plunger	1
16	fixed pin 10x45	1	42	steel- ball C5	1
17	type A circlip 10	2	43	pin \varnothing 10x10	1
18	ram base	1	44	body handle grip	1
19	piston spring4/2.6x33x141.5x13	1	45	body handle	1
20	cylindrical pin 6x18	1	46	plug cock	1
21	piston	1	47	oil reservoir	1
22	back- up ring 35x29x1.5	1	48	O-ring 29.8x3.1	1
23	O-ring 28x3.5	1	49	oil- in conical spring	1
24	valve	2	50	cylinder	1
25	oil- in conical spring 6x18	1	51	stander	1
26	steel- ball C6	1			

UNDERSTAND YOUR TOOL

CPC SERIES Hydraulic Cable Cutter is the tool for cutting armoured Cu/Al cable, ACSR and telephone cable. It owns many advantages such as good design, easy operation, high pressure, high efficiency and etc. It is a perfect tool to be used in electric construction site and other outdoor site.

1. Specification

Item No.	CPC-40A	CPC-50A	CPC-40BL
Cutting force:	60KN	60KN	60KN
Cutting range:	Φ 40mm max(for telephone cable)	Φ 50mm max(for telephone cable)	Φ 40mm max(for ACSR cables)
	Φ 32mmmax(for armoured Cu/Al cable)	Φ 45mm max(for armoured Cu/Al cable)	Φ 28mm max(for steel wire multi-stands)
Length:	Approx.570mm	Approx. 630mm	Approx.600mm
Net weight	5.20kg	7.10kg	5.6kg

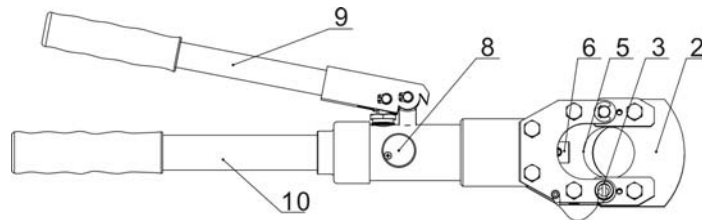
Baolifeng Tools Co.,LTD

www.blftools.com

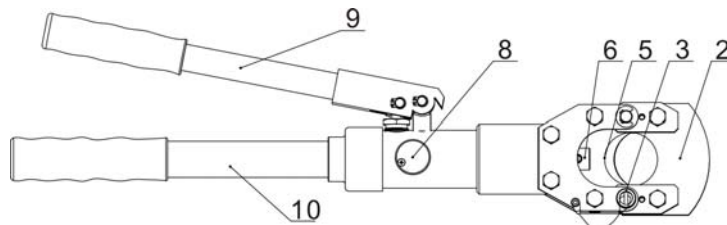
Package:	Steel case	Steel case	Steel case
Oil:	15# hydraulic oil (approx. 80ml)		
O-ring:	1 set		
Ambient temperature:	-20°C ~ 40°C		

2. Description of the components

CPC-40A/CPC-50A



CPC-40BL



Code	Name	Function
1	Holder	For fix the blade
2	Upper blade	For cutting
3	Pin	For fixing upper blade
4	Clip	For locking the cutting head
5	Down blade	For cutting
6	Screw	For releasing pressure
7	Lock	For locking the cutting head
8	Turn screw	For releasing pressure and retracting piston

9	Active handle	For operating
10	Fixed handle	For storing oil

OPERATING INSTRUCTIONS.

Read the entire **SAFETY INFORMATION** section at the beginning of this manual including all text under subheadings therein before using this product.

⚠DANGER

Any parts of the tool cannot be knocked; the tool is dangerous when the parts is broken.

1. Open the head and put cable into.

When the piston was fully retract, pull out the pin, put cable into head, then close the head and lock it, insert the pin wholly into the tool. If the cable is short, it can be put into head without opening it. Please see the illustration below.

⚠WARNING

The tool is not insulated, please do not use it on the live conductor to avoid injury occurring.

2. Begin to cut.

Turn the screw tightly, pumping until the cable was cut. Turn the screw to release the pressure manually. When the piston and down blade retract fully, it means we have finished one cycle of cutting. Do the same procedure for the next cutting. Please see the illustration below.

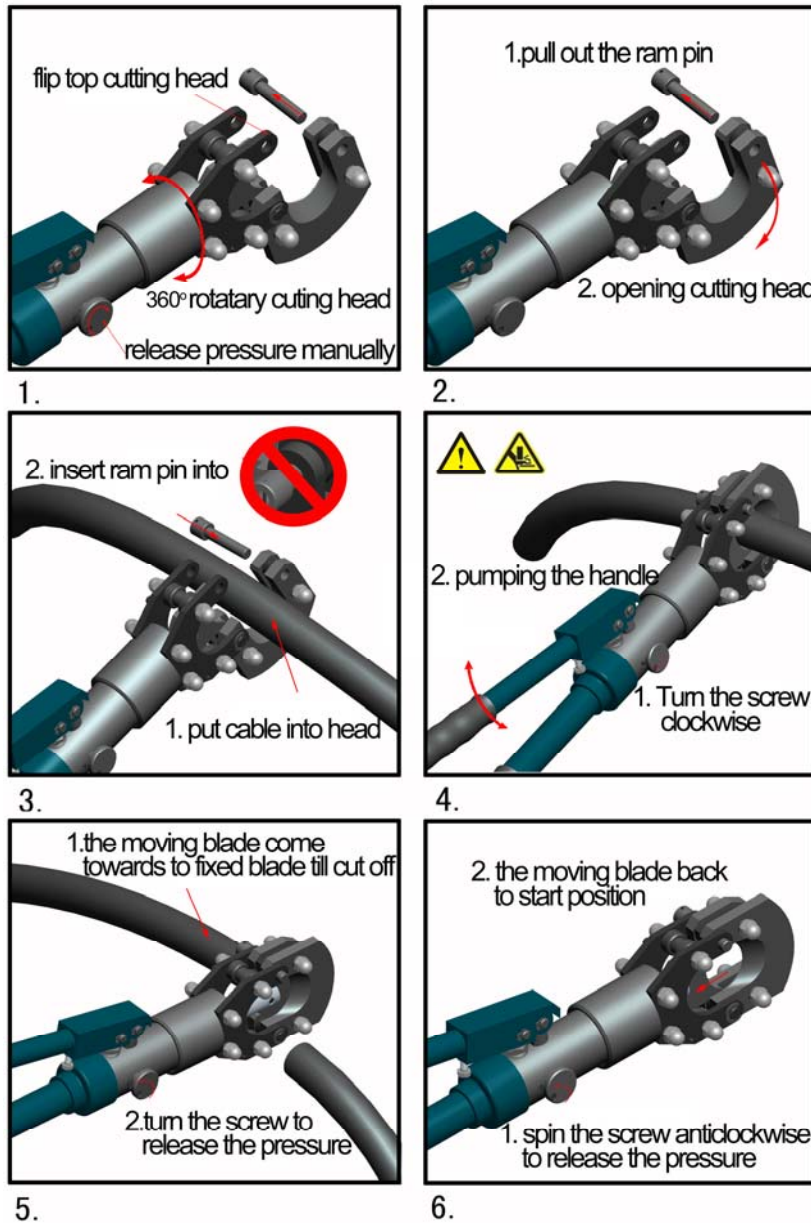
⚠DANGER

Do not put your fingers into the head of the tool during operating. Your fingers could be pinched very severely.

3. After cutting

If the tool is not used for a long time, please make sure the piston stay on its starting position, count the accessories. Clear up the tool and paint the rustproof oil both to the tool and accessories.

Please refer the illustration below for item **CPC-75**



TROUBLESHOOTING

FAULT	ANALYSIS	SOLUTION
-------	----------	----------

Baolifeng Tools Co.,LTD

www.blftools.com

A. No pressure or the pressure is not enough during operation	1. The pump lack oil 2. There is dust exist in oil 3. Inner leakage	1. Fulfill or replace the oil 2. Change the oil 3. Contact manufacturer or distributor
B. Oil leakage on the head or on the plunger	1. Sealing kit broken	1. Contact manufacturer or distributor and replace it by trained person

⚠ ATTENTION

It is normal that the blade bent after long time cutting, please as the following struction to repair the edge of blade:

1. Use a to polish the bent part to smooth, please refer the following:



2. After the first step then polish the back side to avoid any concave.



NOTE: It is much important due to the concave can stop the moving blade working.

MAINTENANCE AND SERVICING

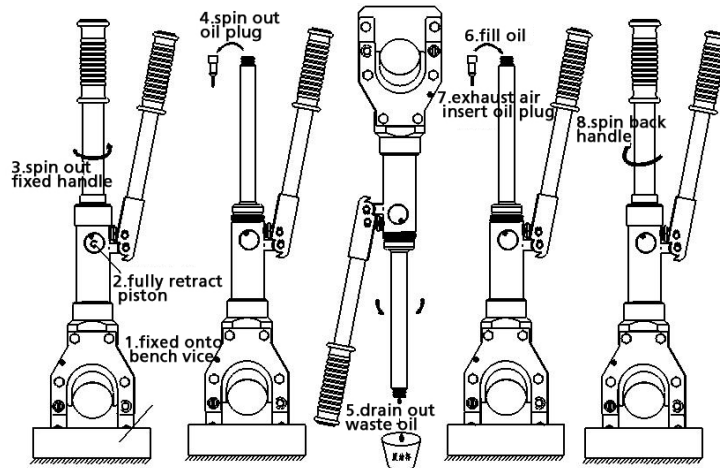
⚠ WARNING

Damaged equipment can fail, causing serious personal injury. do not use damaged equipment. If abnormal noise or vibration occurs, have the problem corrected before further use.

1. **Before each using**, inspect the general condition of the tool. Check for loose screws, misalignment or binding of moving parts, cracked or broken parts, or any other condition that may affect its safe operation.
2. **After using**, please make sure the piston stay on its starting position , clean external surfaces of the tool with clean, moist, smear the rust preventing oil on the metal surface of the tool and the dies to avoid rusty. Store the tool in the dry environment.
3. Service to the tool should only be done by a qualified Service Technician.
4. In order to prolong the life of the tool please change the oil per year. Make sure the oil filtered by 120 mesh net or over 30μm strainer. Meantime avoid the dusty into the oil cup.

5. This tool earns a high precise design, please use it properly and do not disassemble it by unprofessional person, otherwise we will not responsible for the problems cause by above misuse. Or we will carry out repair if the users are willing to pay for the spare parts cost.
6. After a long time using, the sealing kits will be damaged, if there is leakage please contact with the manufacturer and/or the distributor to change the sealing kits.

HOW TO CHANGE THE OIL



CAUTION

The dust or air inside the tool will damage the sealing kit so caused the tool lose function. Make sure the oil is clear and no dust entering into oil when changing oil. Wait for a while and exhaust the oil completely out of the oil tube before inserting the oil plug.

WARNING

Please wear the rubber gloves to avoid skin touching the oil directly, if touches it in careless, please wash the skin by soap water in timely. In order to protect the environment please drain the waste oil to the treatment center where was approved by government.

LIMITED 1 YEAR WARRANTY

We make every effort to assure that its products meet high quality and durability standards, and warrants to the original purchaser that this product is free from defects in materials and workmanship for the period of one year from the date of purchase(90 days if used by a professional contractor or if used as rental equipment). This warranty does not apply to damage due directly or indirectly, to misuse, abuse, negligence or accidents, repairs or alterations outside our facilities, normal wear and tear, or to lack of maintenance. We shall in no event be liable for death, injuries to persons or property, or for incidental, contingent, special or consequential damages arising from the use of our product. Some states do not allow the exclusion or limitation of incidental or consequential damages, so the above limitation of exclusion may not apply to you. THIS WARRANTY IS EXPRESSLY IN LIEU OF ALL OTHER WARRANTIES, EXPRESS OR IMPLIED, INCLUDING THE WARRANTIES OF MERCHANTABILITY AND FITNESS.

To take advantage of this warranty, the product or part must be returned to us with transportation charges prepaid.

Baolifeng Tools Co.,LTD

www.blftools.com

Proof of purchase date and an explanation of the complaint must accompany the merchandise. If our inspection verifies the defect, we will either repair or replace the product at our election or we may elect to refund the purchase price if we cannot readily and quickly provide you with a replacement. We will return repaired products at our expense, but if we determine there is no defect, or that the defect resulted from causes not within the scope of our warranty, then you must bear the cost of returning the product.

The warranty gives you specific legal rights and you may also have other rights which vary from state to state.