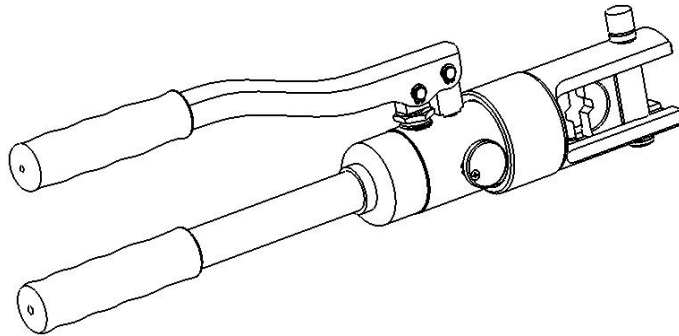


Baolifeng Tools Co.,LTD

www.blftools.com

Hydraulic Crimping Tool YQK Series

Instruction Manual



Due to continuing improvements, actual product may differ slightly from the product described herein.

Read this material before using this product.

Failure to do so can result in serious injury.

SAVE THIS MANUAL

SAVE THIS MANUAL

Keep this manual for the safety warnings and precautions, assembly, operating, inspection, maintenance and cleaning procedures. Write the month and year of purchase. Keep this manual and the receipt in a safe and dry place for future reference.

IMPORTANT SAFETY INFORMATION

In this manual, on the labeling, and all other information provided with this product:



This is the safety alert symbol. It is used to alert you to potential personal injury hazards. Obey all safety messages that follow this symbol to avoid possible injury or death.

Baolifeng Tools Co.,LTD

www.blftools.com

⚠DANGER

DANGER indicates a hazardous situation which, if not avoided, will result in death or serious injury.

⚠WARNING

WARNING indicates a hazardous situation which, if not avoided, could result in death or serious injury.

⚠CAUTION

CAUTION, used with the safety alert symbol, indicates a hazardous situation which, if not avoided, could result in minor or moderate injury.

GENERAL SAFETY RULE

TO WORK IN SAFE CONDITIONS WITH THIS TOOLING, IT IS IMPERATIVE TO READ CAREFULLY THE DIRECTIONS FOR USE AND TO FOLLOW THE INSTRUCTIONS IT CONTAINS. IF YOU DO NOT RESPECT THE INFORMATION WRITTEN IN THAT INSTRUCTION MANUAL THE WARRANTY WILL BE CANCELLED.

1. Work area safety

- a. Keep work area clean and well lit. Cluttered or dark areas invite accidents.
- b. This tool is not insulated; please do not use it on live conductor.
- c. Keep children and bystander away while operating the hydraulic crimping tool. Distractions will cause you to lose control.
- d. Please do not use or store this tool under high temperature, or one surrounding filling with corrosive fluid. Pay attention to the sealing kits becoming aging.

2. Personal safety

- a. Stay alert, watch what you are doing and use common sense when operating the tool. Do not use the tool while you are tired or still under the influence of drugs, alcohol or medication. A moment of inattention may result in series personal injury.
- b. Use safety equipment. Always use safety equipment such as mask, helmet, safety cap, insulating shoes and etc to reduce the risk of personal injury.
- c. Please use the tool properly, the tool with correct power will do the job better and safer at the rate for which it was designed.
- d. Do not put your fingers in the head of the hydraulic crimping tool during operating. Your fingers could be pinched very severely.

3. Service

Have your Hydraulic Crimping Tool serviced by a qualified service technician using only identical

Baolifeng Tools Co.,LTD

www.blftools.com

replacement parts. This will ensure that the safety of the Hydraulic Crimping Tool Kit is maintained.

Hydraulic Crimping Tool YQK Series

SPECIFIC SAFETY RULES

1. Maintain labels and nameplates on the tool which carry important safety information. If unreadable or missing, contact the agent to replace.
2. This product is not a toy, keep it out of reach of children.
3. Do not slide your fingers in the dies profile.
4. Do not put your fingers in the head of the hydraulic crimping tool when you slide the dies inside it. Your fingers could be pinched very severely.
5. Do not use the tool without die.
6. Do not crimp on live cables or conductors
7. Do only crimp cooper or Al conducting material
8. The warnings, precautions, and instructions discussed in this instruction manual cannot cover all possible conditions and situations that may occur. It must be understood by the operator that common sense and caution are factors which cannot be built into this product, but must be supplied by the operator.



SAVE THIS INSTRUCTIONS

UNDERSTAND YOUR TOOL of [Hydraulic Crimping Tool](#) YQK Series

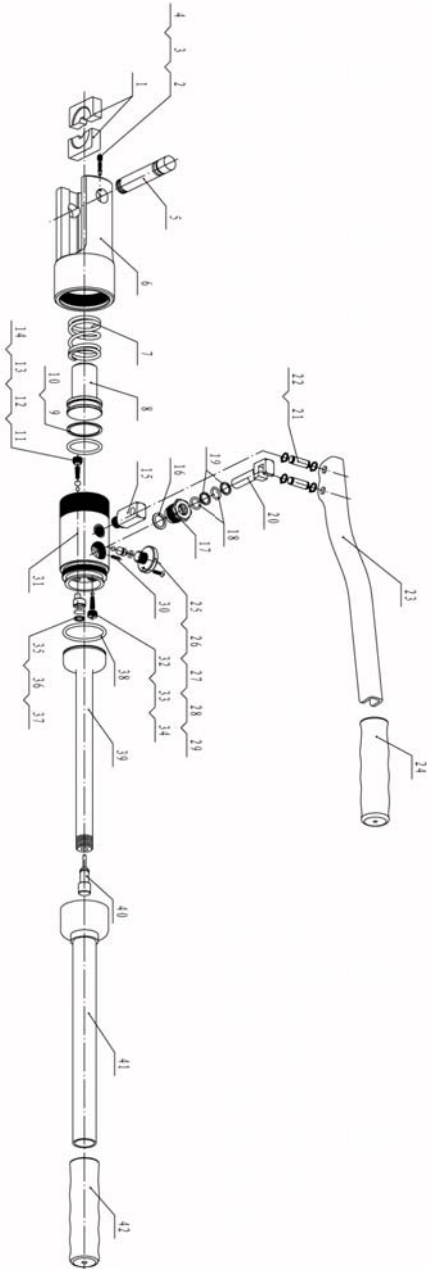
YQK series are the tools for connecting lugs and cable. It carries many advantages of good design, easy operation, high pressure, high efficiency etc. They are the perfect tool to be used in electric construction site.

1. Specification

Item	YQK-240	YQK-300
Crimping range:	Cu 16-240mm ²	Cu 16-300mm ²
Crimping force:	100KN	100KN
Crimping type:	hexagon crimping	hexagon crimping
Stroke:	22mm	22mm
Length:	approx 480mm	approx 500mm
Weight:	approx 3.60kg	approx 3.60kg
Package:	plastic box	plastic box
Weight of box:	approx 1.20kg	approx 1.20kg
Accessories		
crimping die	16.25.35.50.70.95.120.150.185.240 mm ²	16.25.35.50.70.95.120.150.185.240. 300 mm ²
Sealing O-ring:	one set	one set

Hydraulic Crimping Tool YQK Series

Parts list



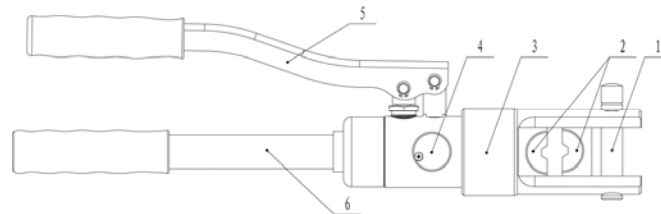
No	Description	Qty	No	Description	Qty
1	die	1 set	22	A type retainer ring	4
2	bolt	1	23	active handle	1
3	spring	1	24	handle cover	1
4	pin	1	25	H type bolt M3x10	1

Baolifeng Tools Co.,LTD

www.blftools.com

5	latch	1	26	screw	1
6	head	1	27	O-ring 4x2	1
7	Piston spring	1	28	plunger	1
8	piston	1	29	steel ball C5	1
9	plastic retainer ring	1	30	Pin 3x10	1
10	O-ring	1	31	cylinder	1
11	steel ball C4	1	32	valve	1
12	steel ball C6	1	33	Conical spring	1
13	spring	1	34	steel ball C4	1
14	valve	1	35	Oil cup	1
15	stander	1	36	fliter sieve	1
16	copper gasket	1	37	plastic retainer ring	1
17	bolt	1	38	O-ring 29.8x3.1	1
18	O-ring 10x2	2	39	oil sac	1
19	plastic retainer ring	2	40	Plug cock	1
20	plunger	1	41	fixed handle	1
21	pin	1	42	handle cover	1

2. Description of the components.



Code	Name	Function
1	Latch	for fixing upper die
2	Die	for crimping, interchangeable crimping die
3	Down die holder	for fixing down die
4	Screw	for releasing pressure and retracting piston
5	Active handle	for operating
6	Fixed handle	for storing oil

OPERATING INSTRUCTIONS.

Read the entire SAFETY INFORMATION section at the beginning of this manual including all text under subheadings therein before using this product.

⚠CAUTION

Please do not knock any parts of the tool, otherwise it is dangerous for operator.

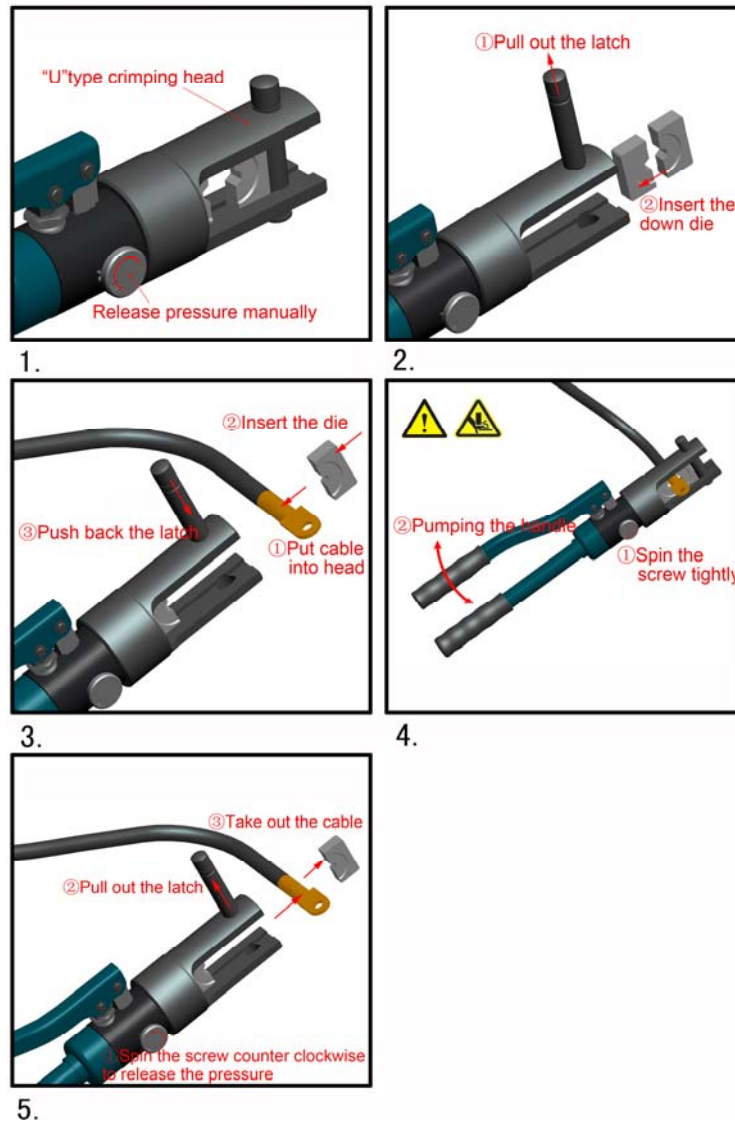
1. Select the appropriate die set. Ask an authorized facility or distributor to choose proper compression die set for the connector and cable being used.

⚠CAUTION Don't operate the tool without dies.

2. Insert the upper and down crimping die to match the die holder when both die halves are in place.
3. Make sure both dies halves are secured before operating the tool.
4. Fully insert the cable into the barrel of the connector.
5. Place the connector between the dies, Pump the handle until reach to the maximum pressure, then spin the screw to release the pressure manually.
6. The piston will retract, take out the connector, the tool is ready for its next cycle.

⚠DANGER

Do not put your fingers into the head of the tool during operating. Your fingers could be pinched very severely.



⚠ CAUTION

The tool is not insulated, please do not use it on the live conductor to avoid injury occurring.

MAINTENANCE AND SERVICING

⚠ WARNING

Damaged equipment may cause serious personal injury. Do not use damaged equipment. If abnormal noise or vibration occurs, have the problem corrected before further using.

1. **Before each using**, inspect the general condition of the tool. Check for loose screws, misalignment or binding of moving parts, cracked or broken parts, or any other condition that may affect its safe operation.
2. **After using**, clean external surfaces of the tool with clean, moist, smear the rust preventing oil on the metal surface of the tool and the dies to avoid rusty. Store the tool in the dry environment.

3. Service to the tool should only be done by a qualified Service Technician.
4. After a long time using, the sealing kits will be damaged, if there is leakage please contact with the manufacturer and/or the distributor to change the sealing kits.

How to change the oil.

